



Features:

- ▶ 1 Line 4 Digit ultra bright LED display
- ▶ Site Programmable CT and PT ratio (Primary and Secondary)
- ▶ True RMS measurement
- ▶ Password protection
 - a) Optional features
 - b) 60A direct current (External CT module available)
- ▶ RS485 Computer Interface
- ▶ Harmonic measurement (Total & Individual)
- ▶ Auto ranging
- ▶ Universal Auxiliary supply



Advantages:

- ▶ Cost-effective
- ▶ Accurate reading
- ▶ Long life compared to Analog, as no moving parts
- ▶ Reduce panel space, wiring and installation time
- ▶ Precise onsite display

Applications:

- ▶ Industrial application and Automation
- ▶ Control Panel
- ▶ Equipment Monitoring
- ▶ Distribution Systems
- ▶ Test bench

Measuring Parameters

- ▶ Voltage (L-L)
- ▶ Voltage (L-N)
- ▶ Current
- ▶ Active power
- ▶ Reactive power
- ▶ Apparent power
- ▶ Frequency
- ▶ Total harmonic distortion (voltage and Current)

Supply Voltage

Auxiliary Supply 90-270V AC/DC (±15%)
 Frequency 50/60 Hz

Display

Display 1 row 4 digits, 7 segment LED display
 Digit Height 0.56" (14.3mm)
 Display Scrolling Automatic/Manual
 Display Reset Energy

Settable Parameters

C.T. Primary 1/5A to 5000A (Programmable)
 C.T. Secondary 1/5A (Programmable)
 P.T Ratio Programmable up to 132 kV

Input Specifications

Electrical Connection 1Ø-2 wire
 Input Voltage Range 0-300VAC (L-N)
 Input Current Range 0.015A-6A AC/60A DC (Optional)
 Frequency 45/65 Hz
 Resolution

- ▶ Energy 0.1 kWh
- ▶ Power factor: 0.001
- ▶ Frequency: 0.01 Hz
- ▶ Voltage: Autoranging
- ▶ Current: Autoranging
- ▶ Power: Autoranging

 Accuracy

- ▶ Voltage ±0.5% of F.S.
- ▶ Current ±0.5% of F.S.
- ▶ Power Factor ±0.5% of F.S.
- ▶ Frequency ±0.1% of F.S.
- ▶ Power (Active, Reactive and Apparent): 1%
- ▶ Energy (Active, Reactive and Apparent): Class 1

 Burden Voltage: 0.2 VA max. per input
 Current: 0.2 VA max. per input
 Aux. supply: 3 VA max.

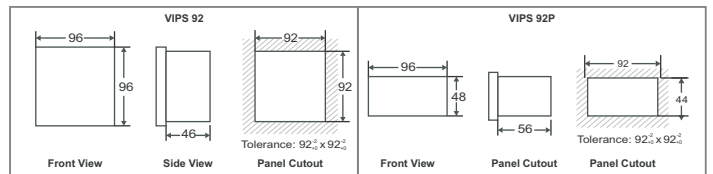
Environmental Specifications

Temperature Operating : -10° to 55°C
 Storage : -20° to 75°C
 Humidity < 95% RH

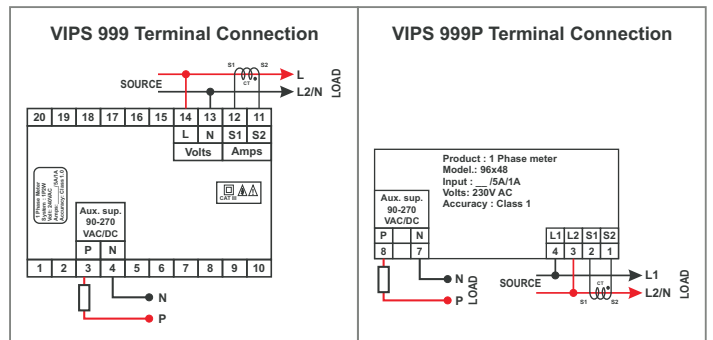
Mechanical Specifications

Mounting Flush Mounting with Side Clamps
 Weight 280 g
 Enclosure Material ABS Thermoplastic

Dimension



Connection Diagram



Ordering Information

Ordering Code	Description	Comm. RS485
VIPS 999	0-5 A, CT programmable	
VIPS 999-C	0-5 A, CT programmable	✓
VIPS 999-60A-1P-M	0-60 A, external CT for 1 phase(M)	
VIPS 999-60A-1P-N	0-60 A, external CT for 1 phase(N)	
VIPS 999P	0-5 A, CT programmable	

Accessories

Description	Code	Photo
for external CT of 60A programmed for single phase	60A-1P	

Preference of Accessories

The above module to be mounted behind the meter	M
The above module to be supplied with 1 meter long Leads	N