



Features:

- ▶ 1 Line 4 Digit ultra bright LED display
- ▶ Site Programmable PT ratio (Primary and Secondary)
- ▶ True RMS measurement
- ▶ Password protection
- ▶ Optional features
 - a) RS485 Computer Interface
 - b) 60A direct current (External CT module available)
- ▶ Harmonic measurement (Total & Individual) for voltage
- ▶ Auto ranging
- ▶ Universal Auxiliary supply



Advantages:

- ▶ Cost-effective
- ▶ Accurate reading
- ▶ Long life compared to Analog, as no moving parts
- ▶ Reduce panel space, wiring and installation time
- ▶ Precise onsite display

Applications:

- ▶ Industrial application and Automation
- ▶ Control Panel
- ▶ Equipment Monitoring
- ▶ Distribution Systems
- ▶ Test bench

Measuring Parameters

- ▶ Voltage (Phase), (Phase) average, (L-N), (L-N) average
- ▶ Total and Average Harmonic Distortion (Phase wise): Voltage
- ▶ System frequency

Supply Voltage

Auxiliary Supply 90-270V AC/DC (±15%)
 Frequency 50/60 Hz

Display

Display 1 row of 4 digits, 7 segment LED display
 Digit Height 0.56" (14.3mm)
 Display Scrolling Automatic/Manual

Parameters (Resettable)

PT Ratio Up to 132kV

Input Specifications

Electrical Connection 3Ø-4 wire
 Input Voltage Range 0-500V AC (L-L)
 Input Current Range 0.015A-6AAC
 Frequency 45/65 Hz
 Resolution Autoranging, Hz 0.01
 Accuracy ▶ Voltage ±0.5% of F.S.
 ▶ Frequency ±0.1% of F.S.
 Burden Voltage: 0.2 VA max per input
 Aux. Supply: 3 VA max.

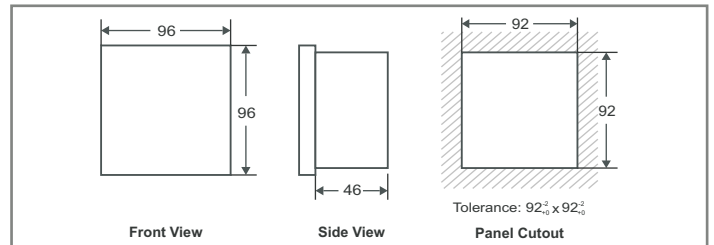
Environmental Specifications

Temperature Operating : -10° to 55°C
 Storage : -20° to 75°C
 Humidity < 95% RH

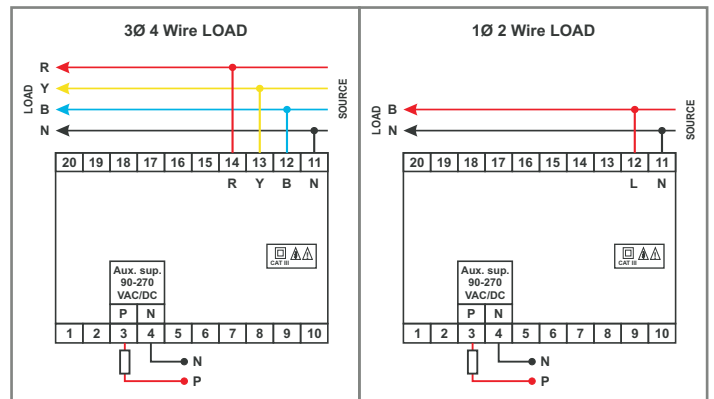
Mechanical Specifications

Mounting Flush Mounting with Side Clamps
 Weight 280 g
 Enclosure Material ABS Thermoplastic

Dimension



Connection Diagram



Ordering Information

Ordering Code	Description	Comm. RS485
VIPS 88	3Ø Voltmeter	
VIPS 88-C	3Ø Voltmeter with Modbus Communication RS485	✓