

**Features:**

- ▶ Ultra bright LED display
- ▶ Site Programmable CT and PT ratio (Primary and Secondary)
- ▶ Password protection
- ▶ 60A direct current (External CT module available)
- ▶ Harmonic measurement (Total & Individual)
- ▶ Auto ranging
- ▶ Universal Auxiliary supply
- ▶ LOAD hour
- ▶ RPM (Generator Application)
- ▶ Auto / manual Scroll



**Advantages:**

- ▶ Reduce panel space, wiring and installation time
- ▶ Scale User adjustable reduces inventory

**Applications:**

- ▶ Control Panel
- ▶ Distribution System
- ▶ Generator sets
- ▶ Motor Control
- ▶ Test Bench

**Measuring Parameters**

- ▶  $V_{L-L}$  (Individual/Average)
- ▶  $V_{L-N}$  (Individual/Average)
- ▶ Current (Individual/Average)
- ▶ Power factor (Individual/Average)
- ▶ Active power (Individual/Average)
- ▶ Reactive power (Individual/Average)
- ▶ Frequency
- ▶ Load hour
- ▶ RPM

**Supply Voltage**

Auxiliary Supply	90-270V AC/DC ( $\pm 15\%$ )
Frequency	50/60 Hz

**Display**

Display	3 rows, 3 digits, 7 segment LED Display
Digit Height	0.56" (14.3mm)
Display Scrolling	Automatic/Manual

**Settable Parameters**

C.T. primary	1/5A to 5000A (Programmable)
C.T. Secondary	1/5A (Programmable)
P.T. Ratio	Programmable upto 132 kV
Display Reset	Energy

**Input Specifications**

Electrical Connection	VIPS 83P : 3 $\emptyset$ -4 wire/1 $\emptyset$ -2 wire VIPS 83P1 : 1 $\emptyset$ -2 wire
Input Voltage Range	0-500V AC (L-L)
Input Current Range	0.05A-6A AC/60A DC (Optional)
Frequency	45-65 Hz
Resolution	0.1 Hz for frequency (Auto Ranging for other parameters)
Accuracy	<ul style="list-style-type: none"> <li>▶ Voltage <math>\pm 1\%</math> of F.S.</li> <li>▶ Current <math>\pm 1\%</math> of F.S.</li> <li>▶ Active Power <math>\pm 1\%</math> of F.S.</li> <li>▶ Apparent Power <math>\pm 1\%</math> of F.S.</li> <li>▶ Frequency 0.1% of full scale for deflection</li> <li>▶ Power Factor <math>\pm 2</math> for electrical degrees</li> </ul>
Burden	Voltage: 0.2 VA max. per input Current: 0.2 VA max. per input Aux. supply: 3 VA max.

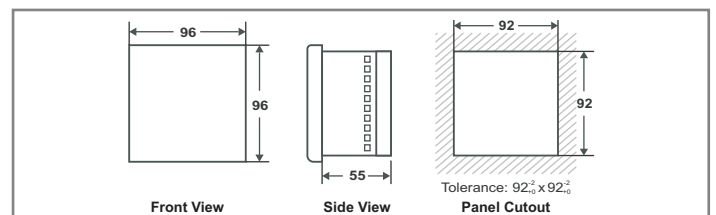
**Environmental Specifications**

Temperature	Operating : -10° to 55°C Storage : -20° to 75°C
Humidity	< 95% RH

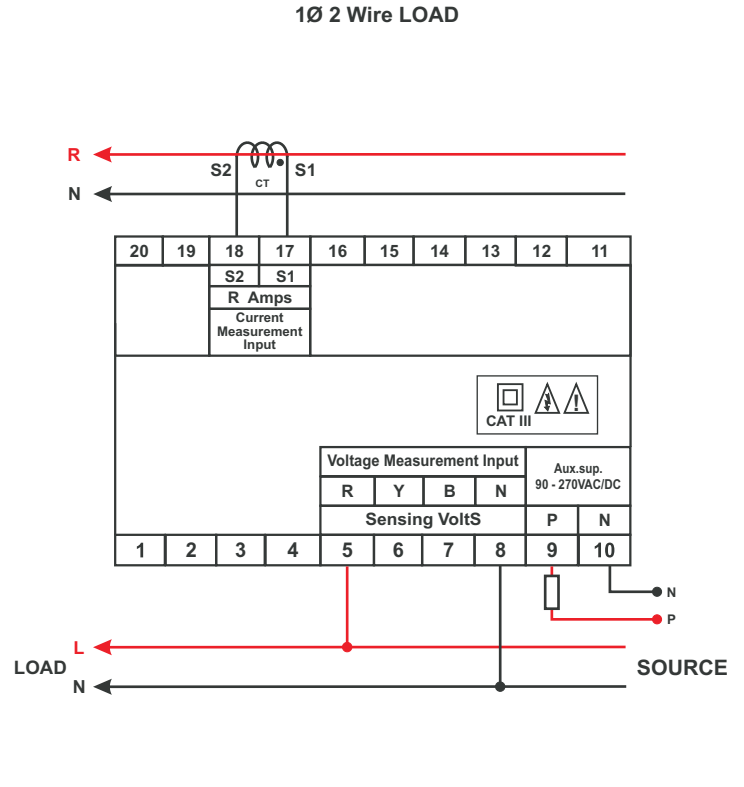
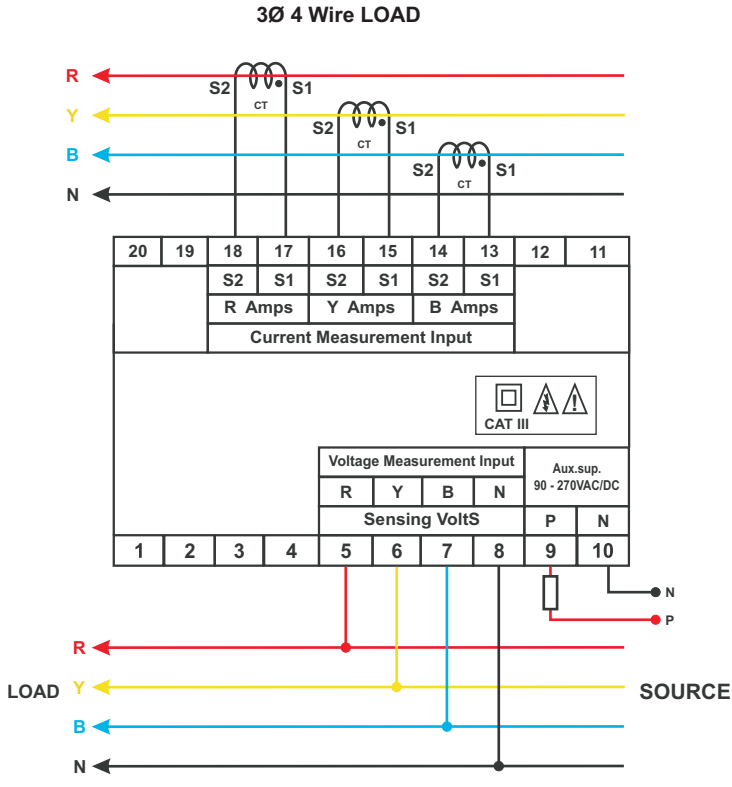
**Mechanical Specifications**

Mounting	Flush Mounting with Side Clamps
Weight	280 gms
Enclosure Material	ABS Thermoplastic

**Dimension**



Connection Diagram




Ordering Information

Ordering Code	Current Rating
VIPS 83P	0-5A, CT programmable
VIPS 83P-60A-3P-N	0-60A, external CT for 3 phase (N)
VIPS 83P-60A-3P-M	0-60A, external CT for 3 phase (M)
VIPS 83P-60A-3P-NX.X	0-60A, external CT for 3 phase (NX.X)
VIPS 83P1	0-5A, CT programmable
VIPS 83P1-60A-1P-M	0-60A, external CT for 1 phase(M)
VIPS 83P1-60A-1P-N	0-60A, external CT for 1 phase(N)
VIPS 83P1-60A-1P-NX.X	0-60A, external CT for 1 phase(NX.X)

Preference of Accessories

The above module to be mounted behind the meter	M
The above module to be supplied with 1 meter long Leads	N

Accessories

Description	Code	Photo
for external CT of 60A programmed for three phase	60A-3P	
for external CT of 60A programmed for single phase	60A-1P	