

Features:

- ▶ All ratios available to match commonly available ELRs
- ▶ Compact
- ▶ Light weight
- ▶ Encapsulated ABS moulding
- ▶ Terminals are finger proof touch as per IEC 44-1 and IEC185
- ▶ Cost effective



Advantages:

- ▶ Highly linear
- ▶ Highly accurate
- ▶ Light in weight

Applications:

- ▶ For detection of leakage current & transmitting proportional signal to ELR

Technical specifications

System Voltage	720V max.
Insulation Voltage	3 kV for 1 minute
System Frequency	50/60 Hz
Maximum permissible current	1 kA continuous 5 kA for 1.5 sec
Current Ratio	1/1000, 1/600 any other on request

Mechanical Specifications

Terminal conductor	≤ 2.5 sq.mm
Distance between toroid and relay	< 50 meters
Enclosure	Flame retardant glass filled ABS
Mounting	Four fixing slots

Environmental Specifications

Operating Temperature	-20°C to 70°C
Humidity	< 95 RH

Dimension

CBCT35

Dimension Diagram

Inner Diameter : 35mm
Weight : 80 g

CBCT70

Dimension Diagram

Inner Diameter : 70mm
Weight : 125 g

CBCT120

Dimension Diagram

Inner Diameter : 120mm
Weight : 190g

CBCT210

Dimension Diagram

Inner Diameter : 210mm
Weight : 250g

Rectangular CBCT

Dimension Diagram

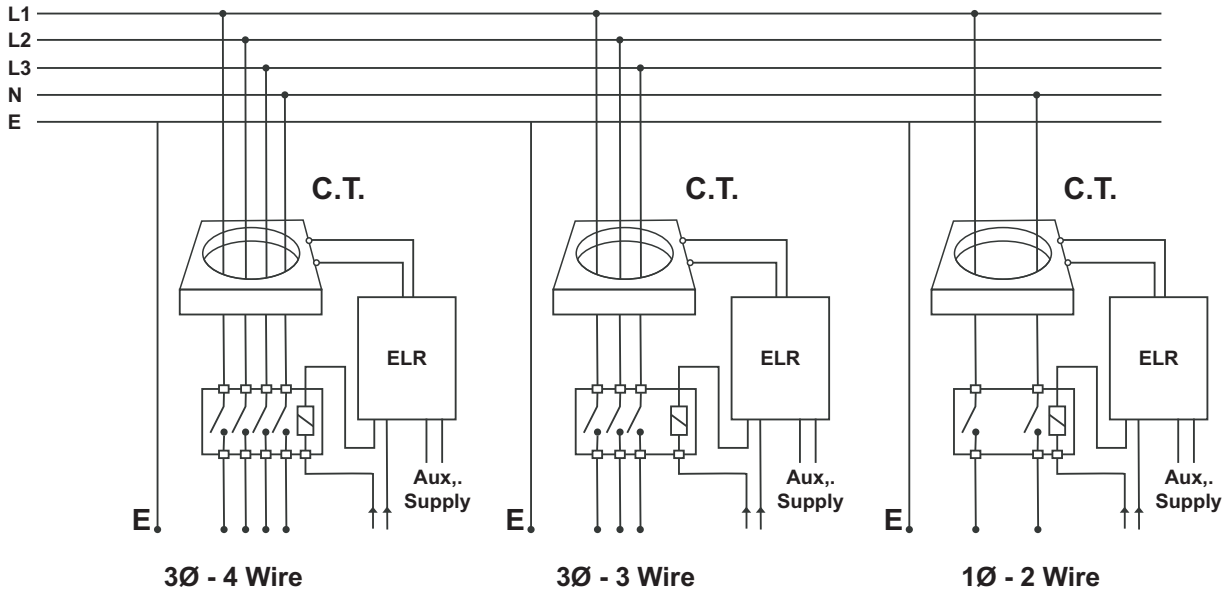
Inner Diameter : A x B

Round CBCT

Dimension Diagram

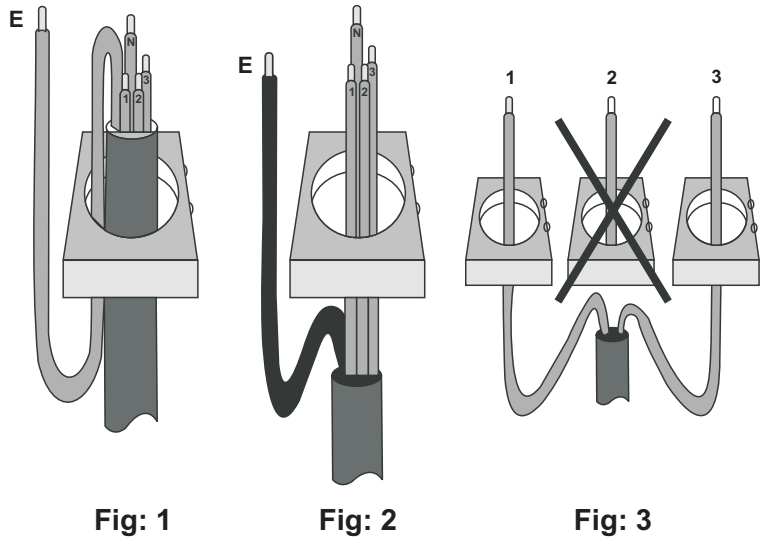
Inner Diameter : D

Connection Diagram



Installation Guidelines

- ▶ Correct installation of the Earth Leakage Relay and toroid should ensure trouble free operation, if this documents is followed
 - A) Always ensure the Earth conductor Does Not pass through the toroid. If it is unavoidable, the Earth must be routed back through the toroid again and around, as shown in Fig:2 beside
 - B) As a rule, select a toroid that has an inside diameter which is twice that or greater than the outsider diameter of the cables to be passed through
 - C) Ensure the cable is central in the toroid.
 - D) Place the toroid on a straight, section of cable, not near a bend.
 - E) Keep the cable and toroid from intense magnetic fields from nearby equipment.
 - F) Do not pass individual through seperate toroids, as shown in Fig: 3.



Ordering Information

Ordering Code	Description
Standard	
VIPS CBCT 35-1000	ABS moulded CBCT 35mm ID with 1/1000 current ratio
VIPS CBCT 70-1000	ABS moulded CBCT 70mm ID with 1/1000 current ratio
VIPS CBCT 120-1000	ABS moulded CBCT 120mm ID with 1/1000 current ratio
VIPS CBCT 210-1000	tape wound CBCT 210mm ID with 1/1000 current ratio
Non-Standard	
VIPS CBCT AxB -1000	CBCT non standard rectangular ID in mm CBCT with 1/1000 current ratio
VIPS CBCT AxB -XXXX	CBCT non standard rectangular ID in mm CBCT with non-standard current ratio
VIPS CBCT D -1000	CBCT non standard circular CBCT with 1/1000 current ratio
VIPS CBCT D -XXXX	CBCT non standard circular CBCT with non-standard current ratio

Variable denotion explanation:	
XXXX	non standard current ratio eg. 1/1200 is 1200
AxB	inner diameter of rectangular CBCT in mm eg. 500x400 where A=500 mm and B=400 mm
D	Inner diameter of circular CBCT in mm eg. 100 where D =100 mm